

Keston

EVERYTHING IS POSSIBLE



LOW HEIGHT FRAME & HEADER KITS

Heat 45 - 55, 45P - 55P

Heat 2 45 - 55, 45P - 55P

When replacing any part on this appliance, use only spare parts that you can be assured conform to the safety and performance specification that we require. Do not use reconditioned or copy parts that have not been clearly authorised by Keston. For the very latest copy of literature for specification and maintenance practices visit our website www.keston.co.uk where you can download the relevant information in PDF format.

This kit is suitable for the following boilers:

Keston Heat 45, 55, 45P, 55P

Keston Heat 2 45, 55, 45P, 55P

CONTENTS

1 Introduction.....	3
2 General Description Of Systems.....	4
3 System Components.....	6
4 Installation Procedure.....	8
5 Installation Drawings For Boiler Systems.....	14
6 Commissioning And Testing	16

IMPORTANT

**THESE KITS MUST CAN BE USED IN CONJUNCTION WITH
LOW LOSS HEADERS
SUPPLIED AS PART OF THE KESTON HEAT OPTIONS RANGE**

1 INTRODUCTION

This technical data contains information for dimensioning & assembly of a cascade system kit for the Keston Heat and Keston Heat 2 ranges.

These low height rig kits have been designed to enable them to be fitted in a standard height room leaving ample space for flue installations and are supplied with gas and water header kits designed for use with a low loss header system.

They are based around a single frame structure with provision to bolt multiple frames side by side up to 4 wide, along with all the necessary mounting holes to enable the fitting of the header kits and frame securing bolts.

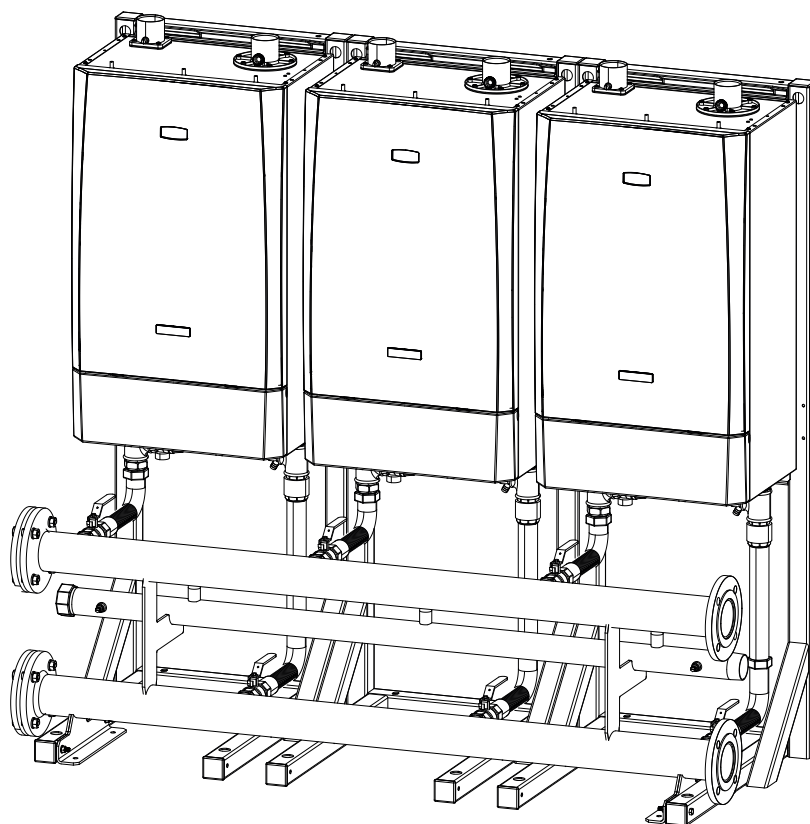
This manual contains all the technical and dimensional data required to install these kits.

GENERAL DESCRIPTION OF FRAME AND HEADER KITS

These are a compact system with four single frame configurations and integrated water and gas headers, affording floor mounting capability to the entire range of products. These systems are adapted to incorporate the use of low loss headers and optional sequencer control systems.

All these kits are supplied with the relevant number of necessary parts needed to connect these kits to the separately purchased appliances.

The Varican optional accessory can be installed (1 per boiler). For cascade control, see Varican Installation Instructions for further information.



For the flue configurations for the range of appliances using these system kits see appliance manual.

All headers and pipe work should be insulated in accordance with the Non Domestic Building Services Compliance Guide. To ensure compliance with the maximum heat loss criteria, insulation thickness should be calculated according to BS EN ISO 12241 using standardised assumptions.

UNPACKING

Check the kit contents with the list below.

	Kit Contents			
	Frame	Water Header	Hardware Pack Connection	Hardware Pack Misc
DN50	1 off	1 off	1 off	n/a
DN65	2 off	1 off	1 off	1 off
DN80	3 off	1 off	1 off	1 off
DN100	4 off	1 off	1 off	1 off

2 GENERAL DESCRIPTION OF SYSTEMS

A single boiler system is defined as fitting one appliance on a single frame with a DN50 water header.

A two, three and four boiler system (cascade) is defined as fitting two, three or four appliances on single frames that are bolted together and share a common water and gas header (DN65, DN80 & DN100).

2.1 FRAME AND HEADER KIT DESIGN OPTIONS

1. These water headers are designed for use with a low loss header system (option).
2. Appliances are not provided with these kits and will be required to be purchased separately.

Note.

All boilers need to be sized in accordance to the total required heat load and the modulation capabilities of the appliances.

2.2 MULTIPLE BOILER INSTALLATIONS

When sizing multiple appliance installations, the minimum and maximum system heat load requirements need to be matched to the minimum and maximum appliance load capabilities.

These water headers are designed to supply the optimum water flow around the appliance water circuit only and must be used in conjunction with a suitably sized low loss header (mixing header).

2.3 HYDRONIC ISOLATION: LOW LOSS HEADER

A low loss header allows flow separation within a hydronic system.

This allows two flow circuits to operate with their own flow and pressure drop environments whilst effectively transferring heat to its adjoined water circuit.

This enables the modern high resistant, high efficiency boilers to operate under their optimum conditions, while the main heating circuit operates to its own controlled optimum requirements.

2.4 OUTPUT CONTROL

The optional Varican accessory can be installed (1 per boiler) to enable cascade control.

2.5 GAS SUPPLY

For Keston Heat the 45 & 55 boilers are configured for use with natural gas. The 45P & 55P boilers are configured for use with LPG / Propane.

For Keston Heat 2 the 45 & 55 boilers are configured for use with natural gas. The 45P & 55P boilers are configured for use with LPG / Propane.

Connection to the gas supply must be in accordance to with all the applicable regulations.

A single frame and DN50 water header kit will require the gas inlet to be made up to the gas tap provided, connecting it to the inlet of the appliance.

2, 3 and 4 boiler units will be supplied with a 2" gas header and all the necessary components and pipe work to connect it to the appliances.

Note: Test points are provided at each end of the 2" gas header. The test point nearest to the gas inlet is intended to be used as the appliance inlet pressure point.

2.6 ASSEMBLY

The frames must be located in a suitable place that affords a flat and level floor area of suitable load bearing capacity. Care must be taken when locating the frames that space is available for the servicing, installation and maintenance of the appliance and all of

the associated connections and equipment. (See Appliance manuals)

When using multiple frames they must be bolted together and where necessary secured to the floor.

2.7 SAFE HANDLING

Installation may require 2 or more operatives to move it to its installation site, remove it from its packaging base and during movement into its installation location. Manoeuvring may include the use of a sack truck and involve lifting, pushing and pulling.

Caution should be exercised during these operations.

Operatives should be knowledgeable in handling techniques when performing these tasks and the following precautions should be considered:

- Grip the boiler at the base.
- Be physically capable.
- Use personal protective equipment as appropriate, e.g. gloves, safety footwear.

During all manoeuvres and handling actions, every attempt should be made to ensure the following unless unavoidable and/or the weight is light.

- Keep back straight.
- Avoid twisting at the waist.
- Avoid upper body/top heavy bending.
- Always grip with the palm of the hand.
- Use designated hand holds.
- Keep load as close to the body as possible.
- Always use assistance if required.

3.1 GENERAL

- Frames: These are provided in a single frame format and are designed to be bolted side by side up to a maximum of four frames and must be bolted together using the bolts provide.
- Water header with built in gas header cradles and mounting brackets that allow its connection to the frames can be obtained in DN50 single boiler format, DN65 two boiler format, DN80 three boiler format, or a DN100 four boiler format.
- 2" gas header with inlet test points
- All the pumps, associated safety controls, pipes and fittings required to connect the water and gas header to the appliances are supplied.

3.2 MAIN WATER HEADERS

The main water header consists of un-insulated water flow and return pipes incorporating location and frame mounting brackets sized to cater for the range of products available for use with these kits.

The Single unit water header is a DN50 pipe system with threaded connections. (Threaded flanges are provided with DN50 low height Low loss header kit).

The twin water header is a DN65 pipe system with flanged connections and is available with the DN65 low height Low loss header kit.

The three unit system uses a DN80 pipe system with flanged connections and is available with the DN80 low height Low loss header kit.

The four unit system uses a DN100 pipe system with flanged connections and is available with the DN100 low height Low loss header kit.

3.3 GAS HEADER

The gas header consists of a 2" manifold tailored to fit the two, three and four unit versions available and is located in the cradle incorporated in the water header bracket structure.

All the pipe work and connections are provided to connect the header to the required appliance.

Test points are provided at each end of the 2" gas header. The test point nearest to the gas inlet is intended to be used as the appliance inlet pressure point.

3.4 LOW LOSS HEADERS (MIXING HEADERS)

All variants of these kits (optional) must be fitted to suitably sized low loss header.

The low height low loss headers have been designed to match the lower positioned water headers used in these kits. This has required the drain point to be moved the lowest side point available.

Note; Bespoke low loss headers may not be able to connect directly to these headers due to the change in pitch and position of the header pipe work used in these kits. (See frame fit low loss header)

Ideal recommend:- DN50 – 355090, DN65 – 355091, DN80 - 355019, DN100 - 355092.

3.5 BOILER CONNECTION KITS

These boiler connections are un-insulated and contain the following:

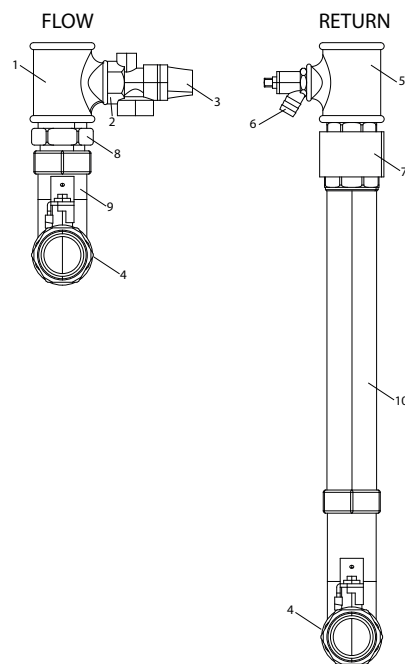
1. 1 1/4" x 3/4" x 1 1/4" Tee
2. Close Taper Nipple
3. Safety Relief Valve 6 bar
4. Isolation Valve
5. 1 1/4" x 1/2" x 1 1/4" Tee
6. Drain Off Cock
7. Non Return Valve
8. 1 1/4" Taper Male to 1/1/4" Paralell Hex Adapter
9. Boiler Flow Flexible Connection from Header
10. Boiler Return Flexible Connection from Header

3.6 FREE-STANDING FRAMES

The low height frames are designed to provide a compact floor mounted structure capable of having any of the range of appliances fitted to them. Incorporating all the required mountings and assembly systems to bolt up to four frames together in a side by side format and mount the relevant water and gas heater kits.

Provision is also provided to allow the frames to be bolted to the floor.

Note: Floor mounting bolts are NOT provided.



3.7 INSTALLATION AREA AND DIMENSIONS

Care must be taken to ensure adequate access for boiler / cascade system installation and servicing.

A minimum of 450mm clearance must be provided from the front of the installed boilers to facilitate boiler servicing.

Additional clearance must also be considered in the event of boiler replacement.

Consideration to connecting heating flow and return pipework, gas supply and condensate drainage must be given. Routing of the condensate drain must be made to allow a minimum fall of 1 in 20 away from the installed boilers, throughout its length. Adequate room above the boilers must be provided to install and service the boiler flue system. Further information with respect to flue and condensate drain connection is provided in the installation and servicing instructions provided within the boilers packaging carton.

IMPORTANT POINTS

Before commencing installation:

If Wall mounting;

- Ensure wall is capable of supporting the weight of boilers to be mounted
- Mark drill points of header using floor mounting template
- Mark height on to the wall from the floor to the top of the boiler
- Ensure floor is flat and level and is of suitable load bearing capacity

If Frame mounting;

- The frames must stand on a flat and level floor of suitable load bearing capacity.
- If using a frame kit (UIN 355089) the header must be bolted to the frame before the hoses are connected to the boiler.

MOUNTING FRAME MUST BE SECURED TO THE FLOOR WITH BOLTS

These Installations refer to perpendicular wall and floor. If walls are not perpendicular, it is recommended that a frame kit be used, which comes with the Frame & Header kit.

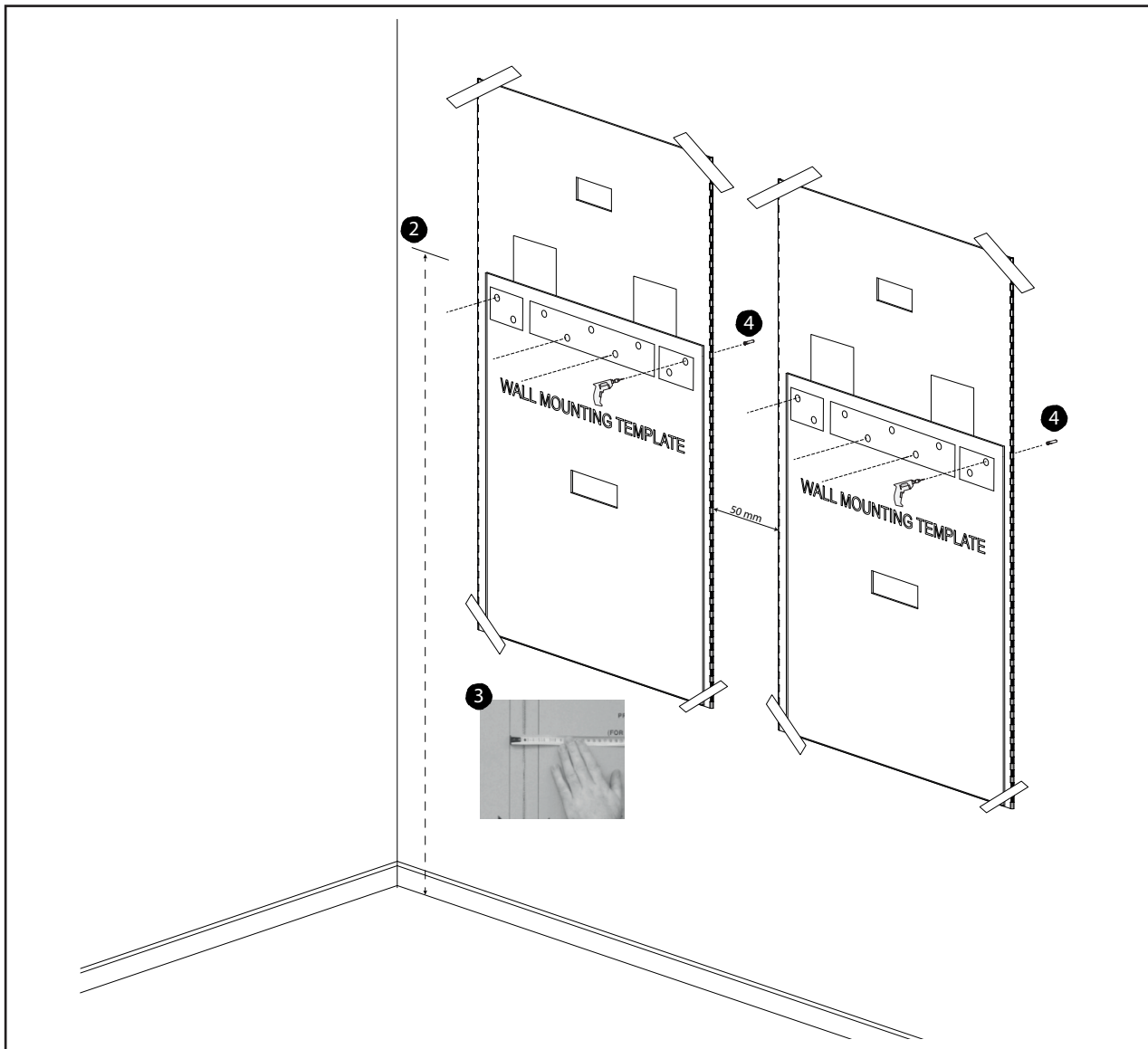
Allowances must be made for installation where skirting boards or other features are in place that may affect the nominal installation conditions.

4 INSTALLATION PROCEDURE

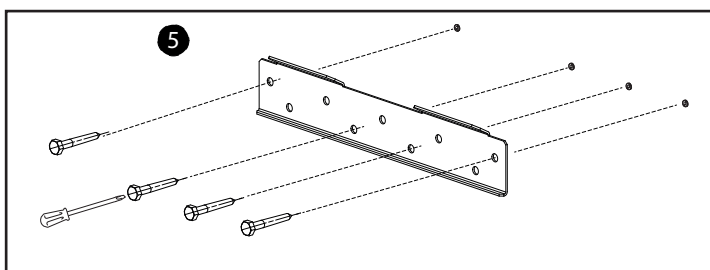
4.1 WALL MOUNTED SIDE BY SIDE OPTION

Ensure wall is capable of supporting the weight of boilers to be mounted. Note. boiler weights can found in the boiler Installation Instructions.

1. Cut the sides off the cardboard wall mounting template/s (found in the boiler packaging) to create the 50mm side clearance required.
2. Mark the height on to the wall from the floor to the top of the boiler 1518mm.
3. Tape the template/s to the wall ensuring the 50mm side clearance per boiler requirement is adhered to.

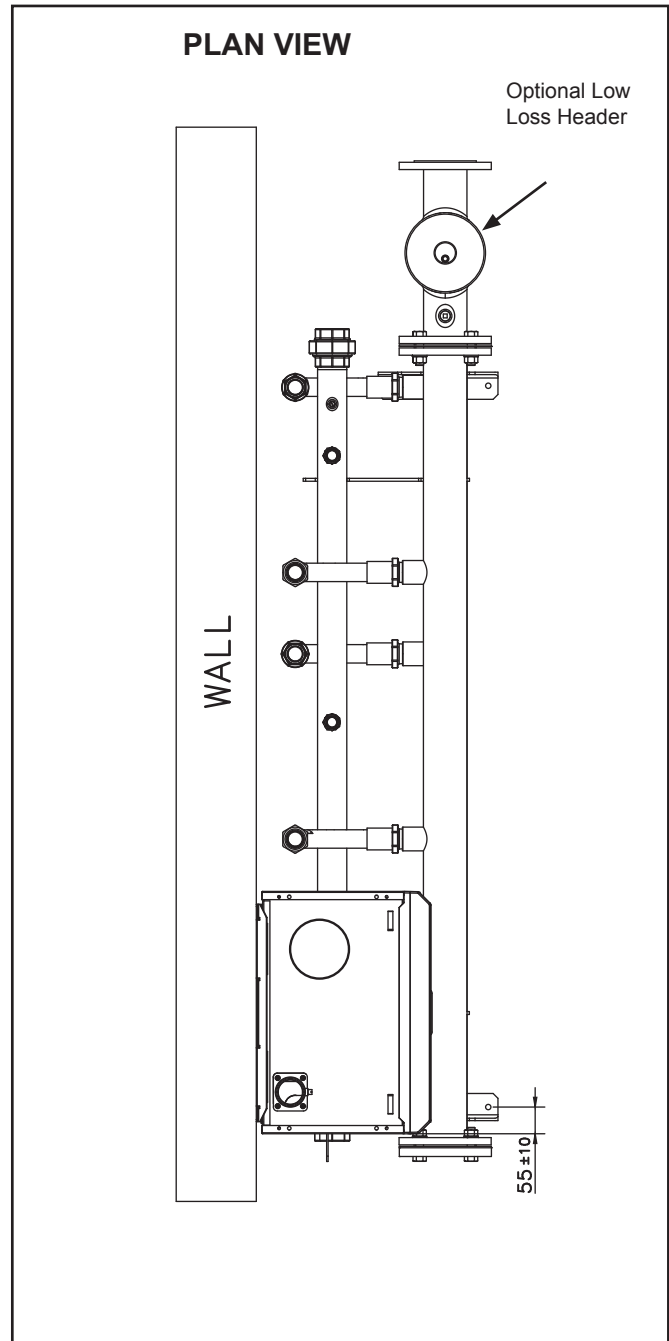
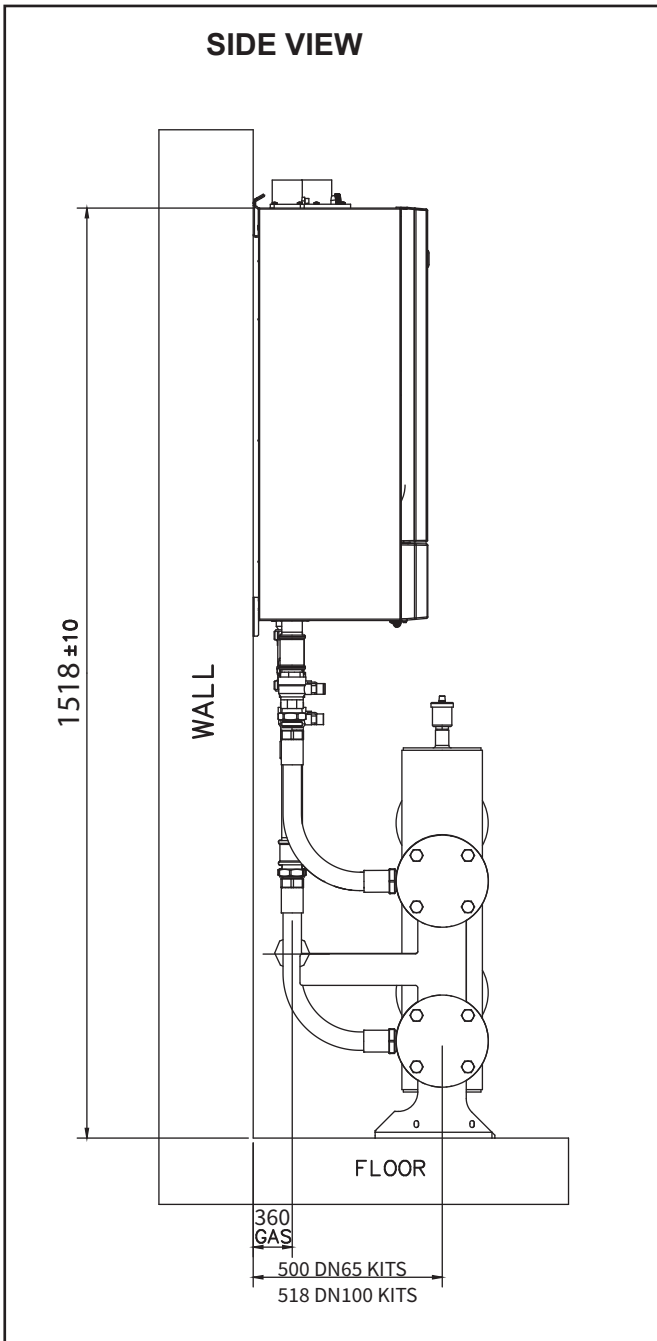


4. Drill the required holes in the wall to fit the wall mounting plate plugs. (See boiler Installation Instructions for details)
5. Screw the wall mounting plate(s) to the wall.



continued

4.1 WALL MOUNTED SIDE BY SIDE OPTION CONT'D.....

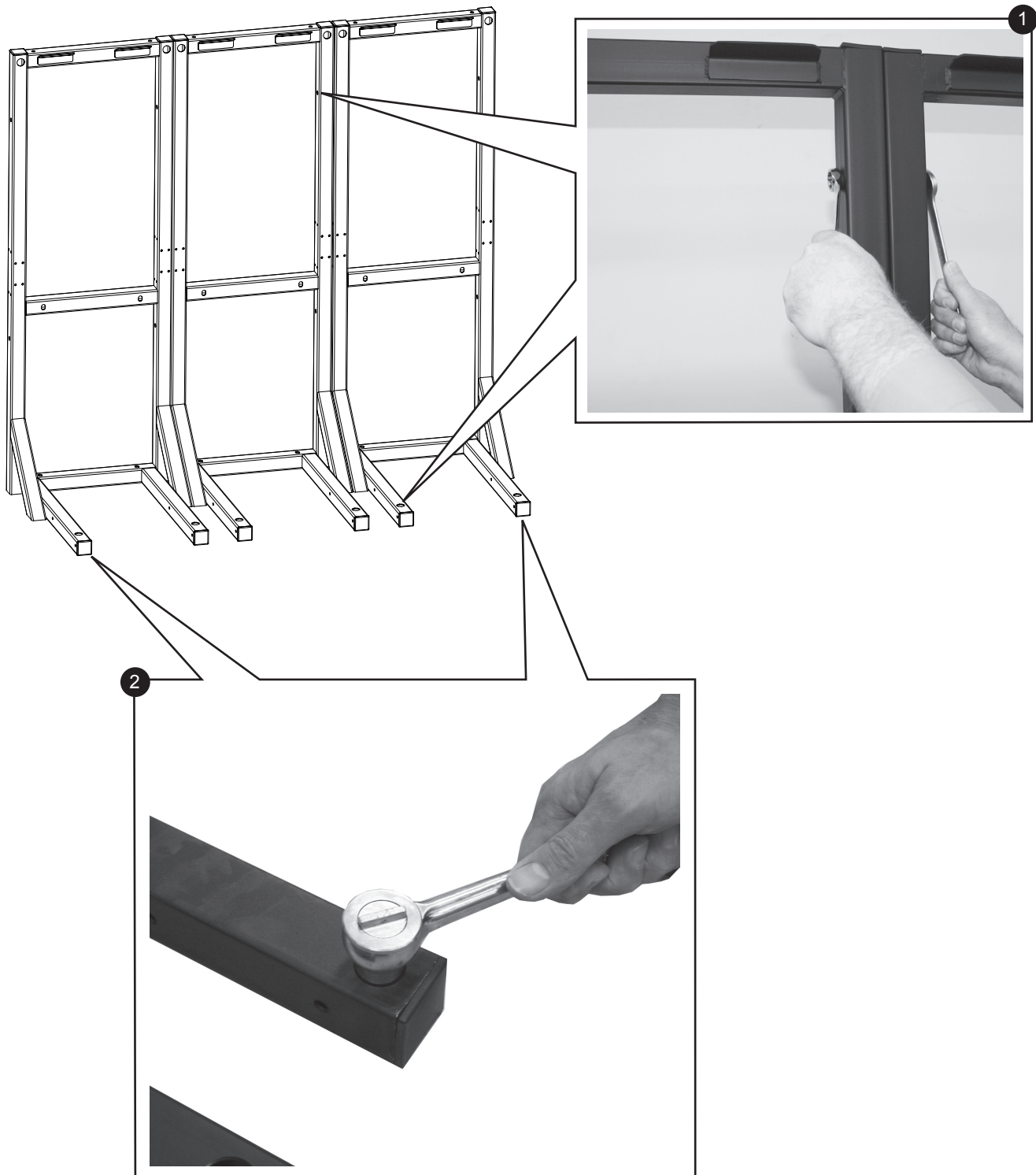


Careful consideration MUST be given to the installation tolerances. If these are not adhered to, hoses may become kinked or connections may not fit.

4.2 SIDE BY SIDE FRAME KIT MOUNTING PROCEDURE

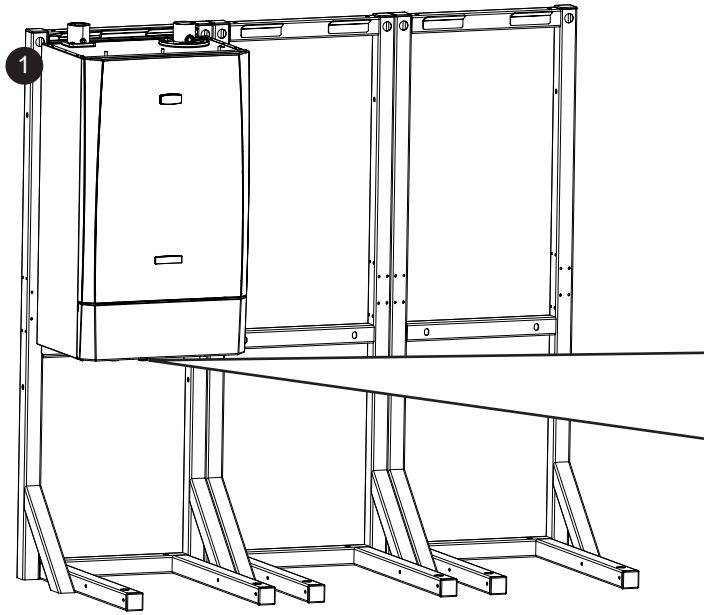
1. Place the frame kit sections in the required position and bolt them together at the top and bottom with the bolts, nuts and washers provided.
2. Drill and fit the required floor bolt's (not provided) through the hole provided in the front of the frame feet. (Note, this must be done before fitting water headers)

IMPORTANT: MOUNTING FRAME MUST BE SECURED TO THE FLOOR WITH BOLTS

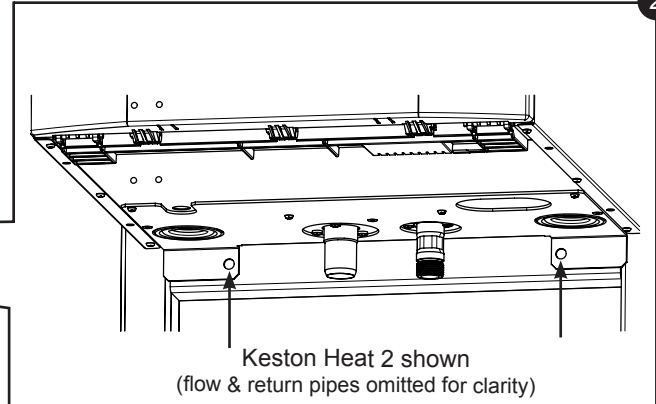


4.3 BOILER MOUNTING

1. As appropriate mount the boilers onto either the wall plates or the side by side frame kit.



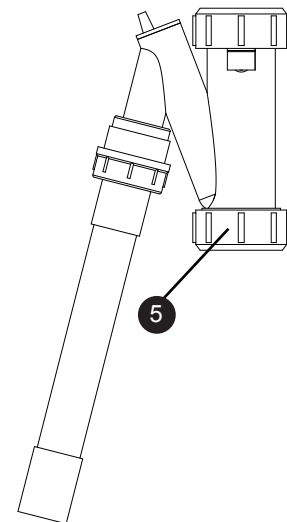
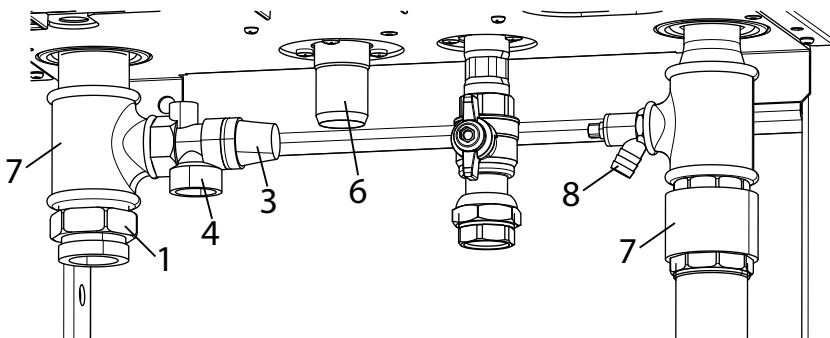
2. Ensure the boiler bottom fixing bracket is screwed to the frame.



BOILER LOWER FIXING POSITIONS

4.4 BOILER ASSEMBLY

1. Fit adaptor into the tee for flexible hose connection.
2. Attach tee to boiler flow.
3. Fit pressure relief valve. (If fitted to the tee before it will foul on the frame).
4. Attach pressure relief pipe and terminate in a safe place. (See appliance manual).
5. Fit condensate trap and pipe work (See appliance instruction, pipe runs must have 1:20 slope away from the appliance).
6. Fit gas connection & tap.
7. Fit tee with pre-assembled non return valve to the return ensuring the flow arrow is point toward the base of the appliance.
8. Attach the drain cock to the return tee ensuring the connection and activation point are accessible.



NOTE: Keston Heat 2 shown in image

4.5 HEADER KIT ASSEMBLY (OPTIONAL ACCESSORY)

FITTING MIXING HEADER AND BLANKING FLANGES

1. Fit the mixing header and blanking flanges in the chosen positions.

Note. Mixing header can be located either LHS or RHS of the headers.



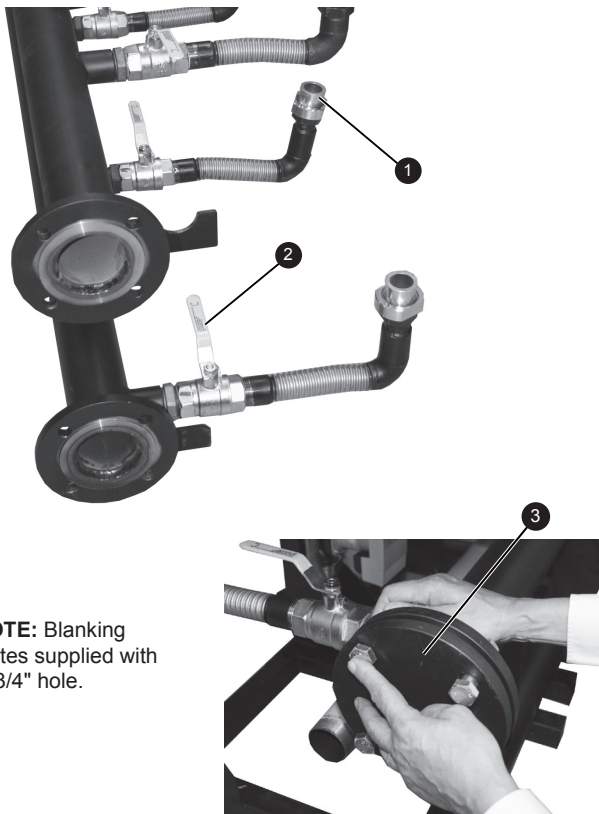
Blanking Flange



Mixing Header

4.6 HEADER ASSEMBLY

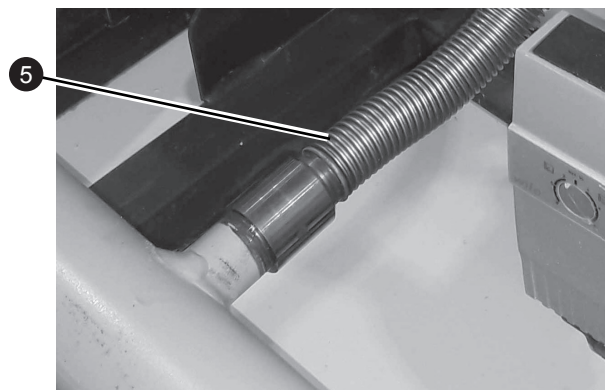
1. Check lower return connection is fitted.
2. Check taps are operational.
3. Fit water header blanking flanges and gaskets.



NOTE: Blanking plates supplied with G 3/4" hole.

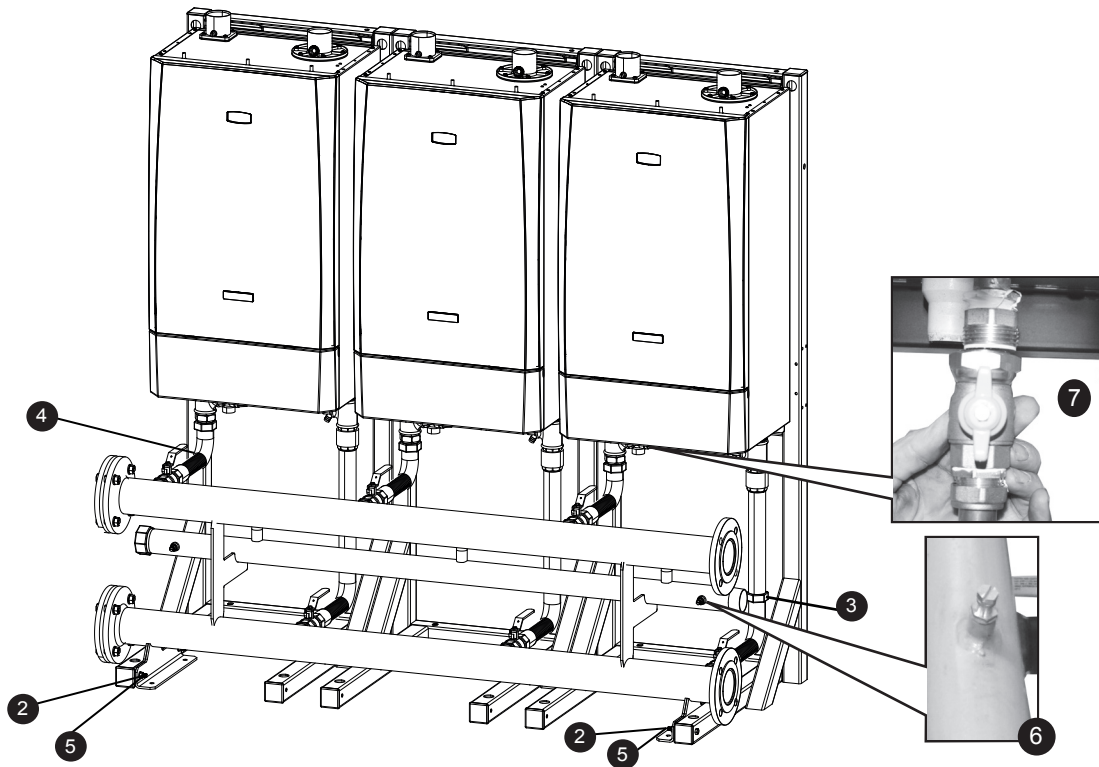
4.7 FITTING THE GAS HEADER

1. Fit the blanking cap to the required end
2. Place the gas header in the pre-cut cradle to the rear of the header.
3. Fit male/male conical set adapter to gas valve.
4. Fit gas valve to the boiler, ensuring the valve is facing forwards.
5. Connect flexible gas hose to the conical end of the conical set.



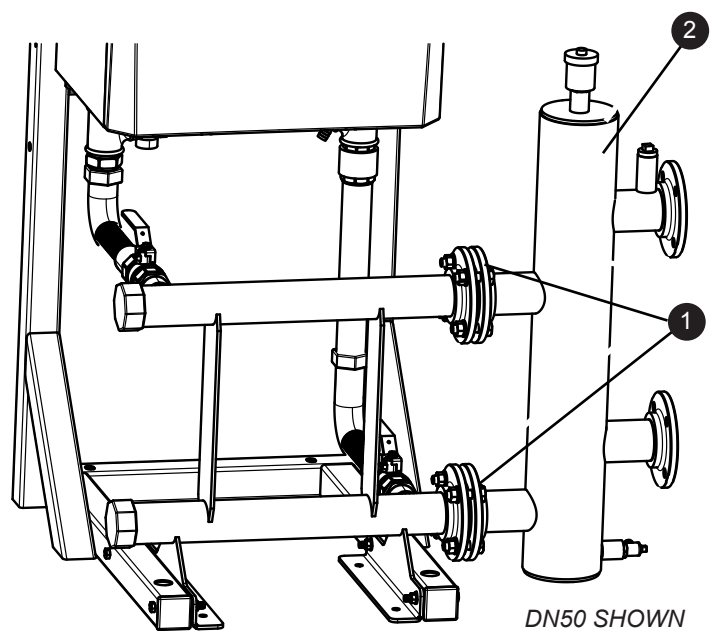
4.8 ASSEMBLE HEADER ONTO FRAME

1. Locate header into required position on the frame legs.
2. Align bolt holes and fit bolts (loosely).
3. Connect the return flow assembly to the non-return valve.
4. Connect the flow connector to the boiler flow pipe adaptor (ensuring the fibre washer provided is correctly fitted).
5. Tighten the header bolts on to the frame.
6. Ensure the test points on the gas header are accessible. (**Note:** the test point nearest the inlet to the rigs is deemed as the appliance pressure test point for the appliances fitted).
7. Fit coupler, gas tap and gas pipe to boiler, then tighten and test all gas joints.



4.9 FIT LOW LOSS HEADER (NOT SUPPLIED WITH FRAME & HEADER KIT)

1. Four threaded flanges are provided with the low height low loss header DN50 kit to enable its connection to the DN50 water header.
2. Fit low loss header to the water header using the bolts and gaskets provided.



5 INSTALLATION DRAWINGS FOR BOILER SYSTEMS

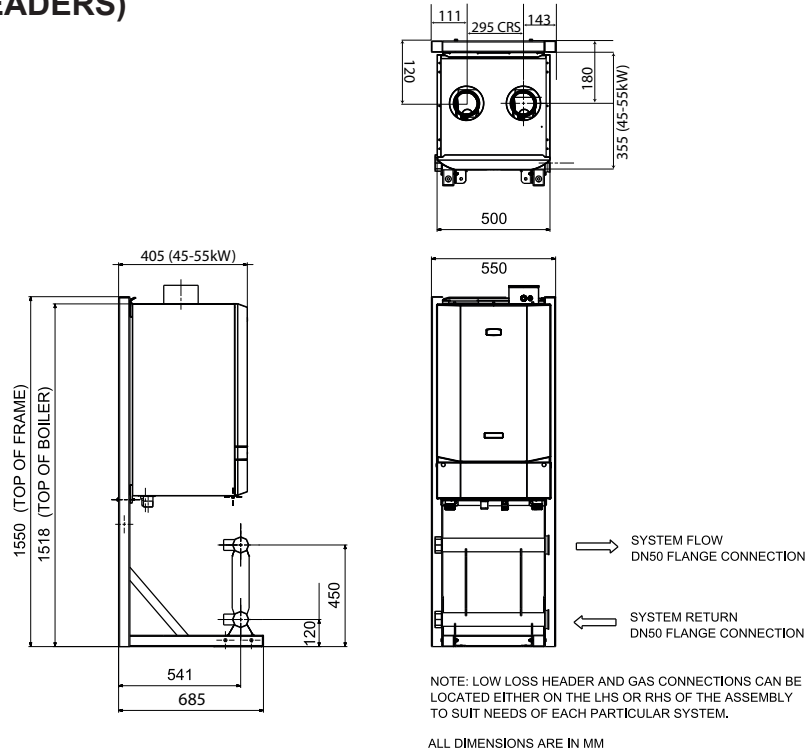
5.1 GENERAL

The boiler systems are available in side by side format:

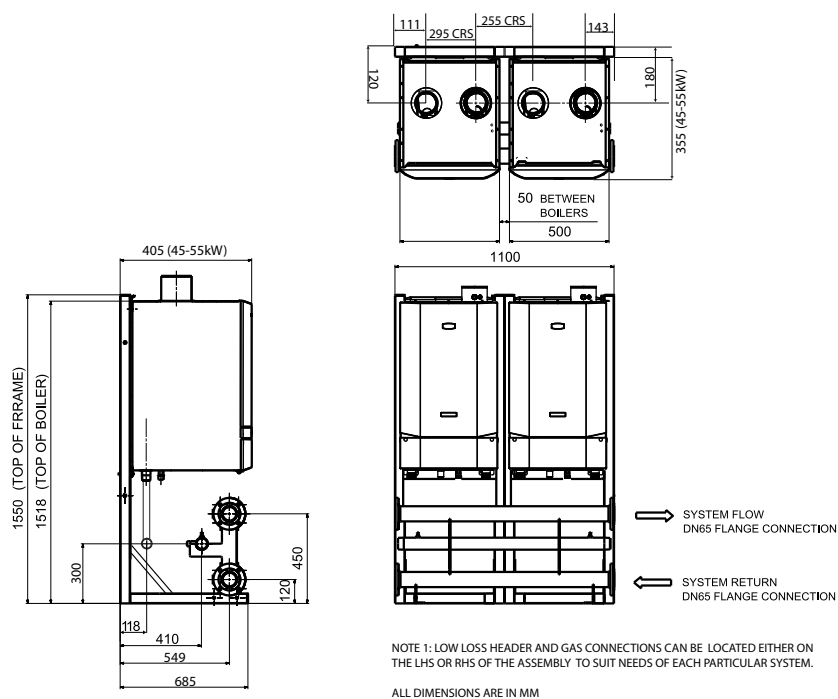
- 1 to 4 boilers in a linear configuration, mounted on a free-standing frame.

These boiler and cascade systems are sized to provide a flow and return differential of $20^{\circ}\Delta T$.

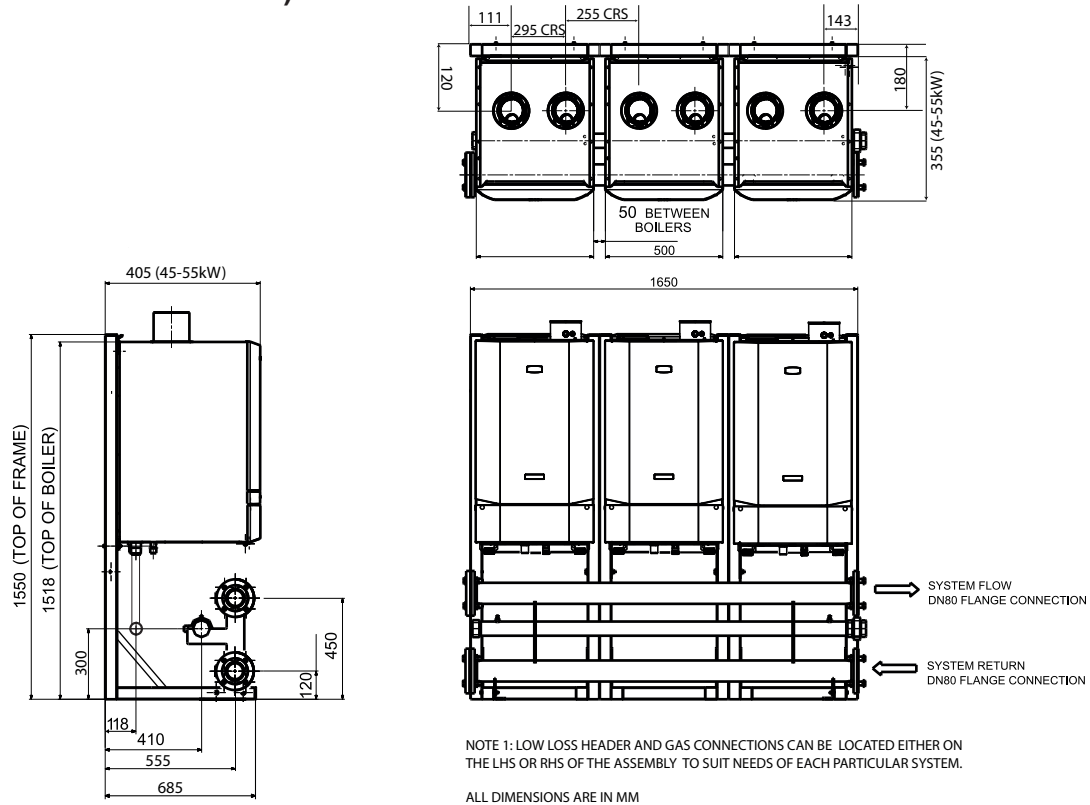
5.2 INSTALLATION DRAWING WITH 1 45-55 BOILER (LOW LOSS HEADERS)



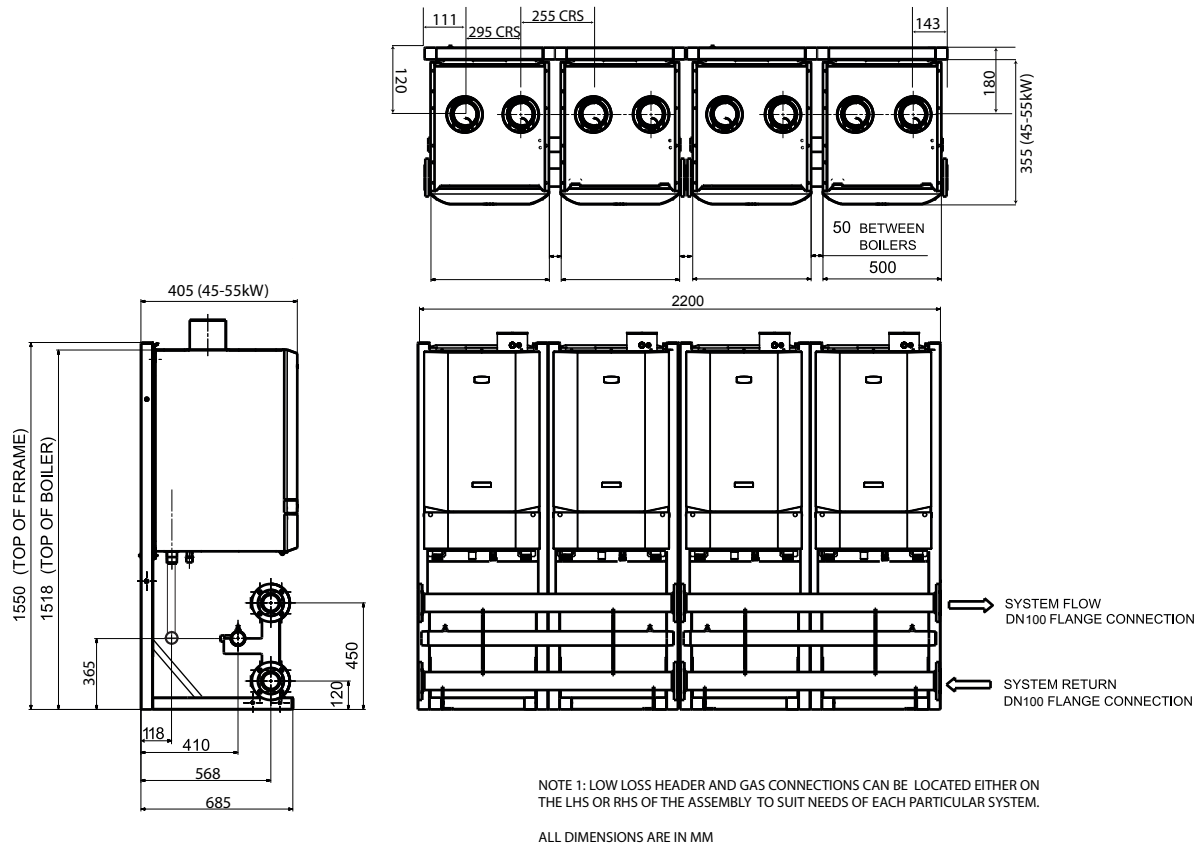
5.3 INSTALLATION DRAWING WITH 2 45/55 BOILERS (LOW LOSS HEADERS)



5.4 INSTALLATION DRAWING WITH 3 45/55 BOILERS (LOW LOSS HEADERS)



5.5 INSTALLATION DRAWING WITH 4 45/55 BOILERS (LOW LOSS HEADERS)



6 COMMISSIONING AND TESTING

1. Electrical and gas safety checks must be carried out on completion of installation as with individual boiler commissioning.



Keston Heating pursues a policy of continuing improvement in the design and performance of its products.
The right is therefore reserved to vary specification without notice.

Keston Heating, PO Box 103, National Avenue, Kingston Upon Hull, HU5 4JN
Tel 01482 443005 Fax 01482 467133

Keston Helpline: 01482 443005
www.keston.co.uk